

# STIRRER GUIDE

## Universal - Version 7



# STIRRER GUIDE

## Universal - Version 7

The guide is designed to provide a reliable and safe means of entry for PTFE, glass or metal shafts into reaction vessels. The guide has an internal sleeve to reduce shaft “*whip*”; note, however, that all stirrer shafts may “*whip*” at certain speeds - always ensure that the speed selected has the very minimum “*whip*”.

### *Features:*

- High Chemical resistance
- Low vacuum (~5 mmHg)
- Pressure (~3-5 psi)
- No shedding
- High performance PTFE/PEEK/Glass precision bearing seal
- Glass bearing for stability
- Internal anti-whip sleeve
- Easy operation lock nut system

### Important Instructions

**It is ESSENTIAL that the STIRRER SHAFT, DRIVE MOTOR and GUIDE are CORRECTLY ALIGNED**

This is particularly important when using a **long shaft** with a **diameter greater than 12mm** since the lateral forces generated by misalignment are very large misalignment will cause damage to the seals and bearings, resulting in failure of the guide.

Misalignment of the drive parts may also produce contact between the shaft and static parts of the Guide Body resulting in “shedding” and the production of debris in the reaction media.

\*When used with highly corrosive substances, the bearing seal may degrade and require replacement.

# STIRRER GUIDE

## Universal - Version 7

The drawing opposite shows the construction and components of the Stirrer Guide.

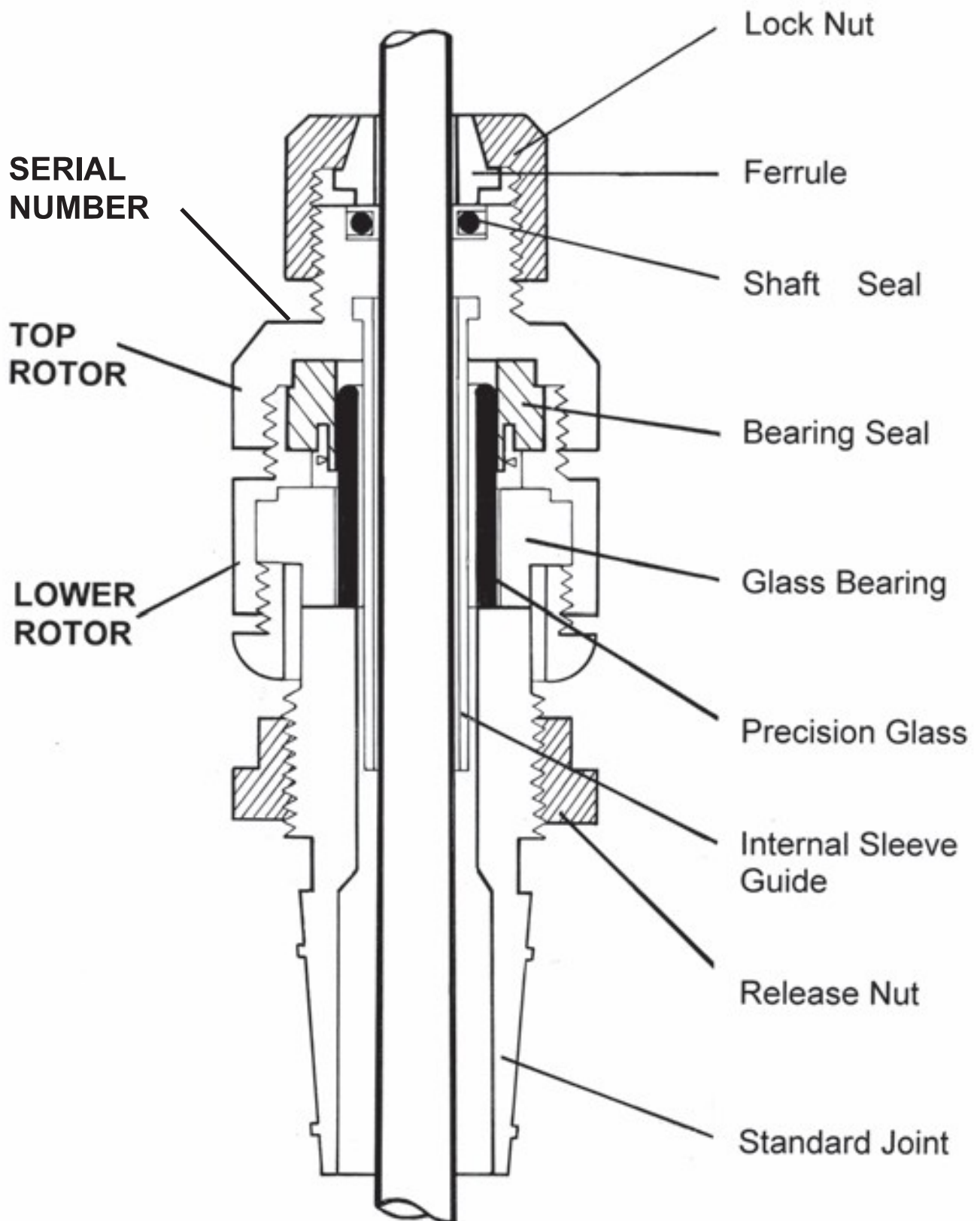
The **Bearing Seal** may be replaced by unscrewing the TOP ROTOR from the LOWER ROTOR to expose the seal. **NB:** Ensure the Bearing Seal is replaced with the “O” Ring side of the seal uppermost.

### *In use -*

- Recommended MAX SPEED is 500 RPM for continuous use and 800 RPM for intermittent use - BUT - always ensure safe running before continuous operation
- Always use the CORRECT DIAMETER of shaft.
- Grease and oils are not required and should not be used with the taper joint
- Clean if necessary with methanol or IPA. Dismantling is not necessary but always reassemble exactly to the diagram overleaf
- The release nut enables easy removal from glass tapered joints

# STIRRER GUIDE

## Universal - Version 7



# STIRRER GUIDE

## Universal - Version 7

### *Replacement Parts*

Fit both A (USA) and B (Europe) type tapers

**RP:** Lock Nut Packs consist of replacement Nut, Seal and Ferrule

**BS:** Replacement Seal contains the large Bearing Seal

Ref	Bearing Seal	Lock Nut Pack (Nut+Seal+Ferrule)
005.101.1.7/201.7 .102.7/202.7	5.18.BS	5.06.RP
/203.7 .104.7/204.7	5.18.BS	5.08.RP
.105.7/205.7 .106.7/206.7 /207.7	5.18.BS	5.10.RP
.108.7/208.7 /209.7	5.26.BS	5.12.RP
.111.7/211.7 .112.7/212.7	5.26.BS	5.16.RP

Other products in the Stirrer Guide range

**High Performance (HP) PTFE shaft guide.**

Developed as for use with metal or glass shafts stirrers without shedding particles from the seal, whilst maintaining a vacuum.

Ref; 005.0.XXXX (A length)

005.00.XXXX (B length)

In the interest of product development, Cowie reserves the right to alter product specifications without notice.